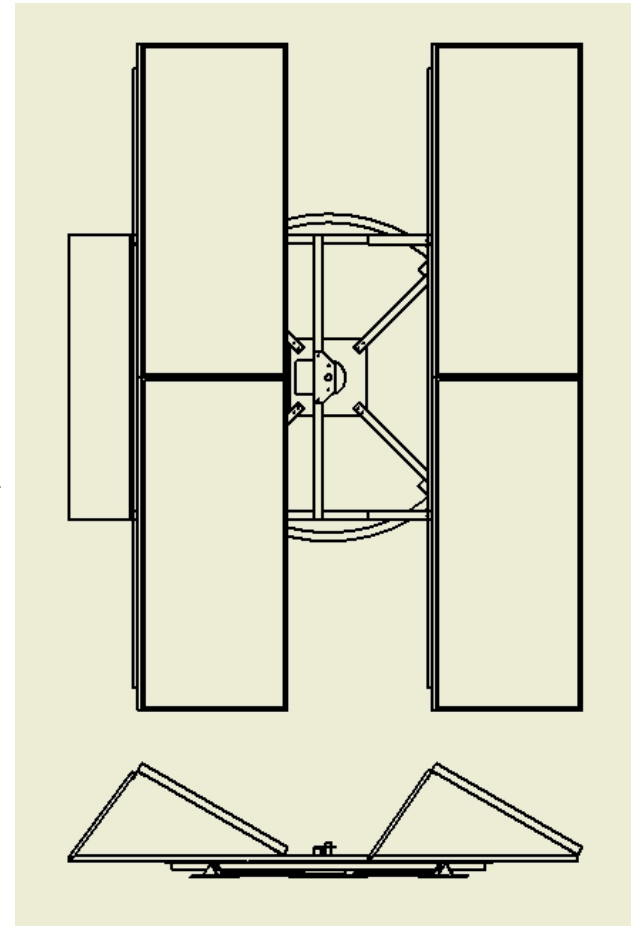
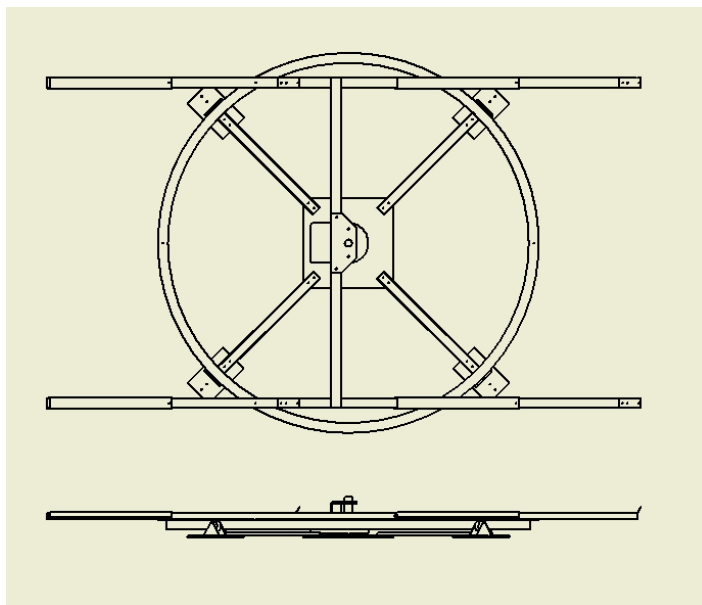


THE JX CRYSTALS SOLAR TRACKER



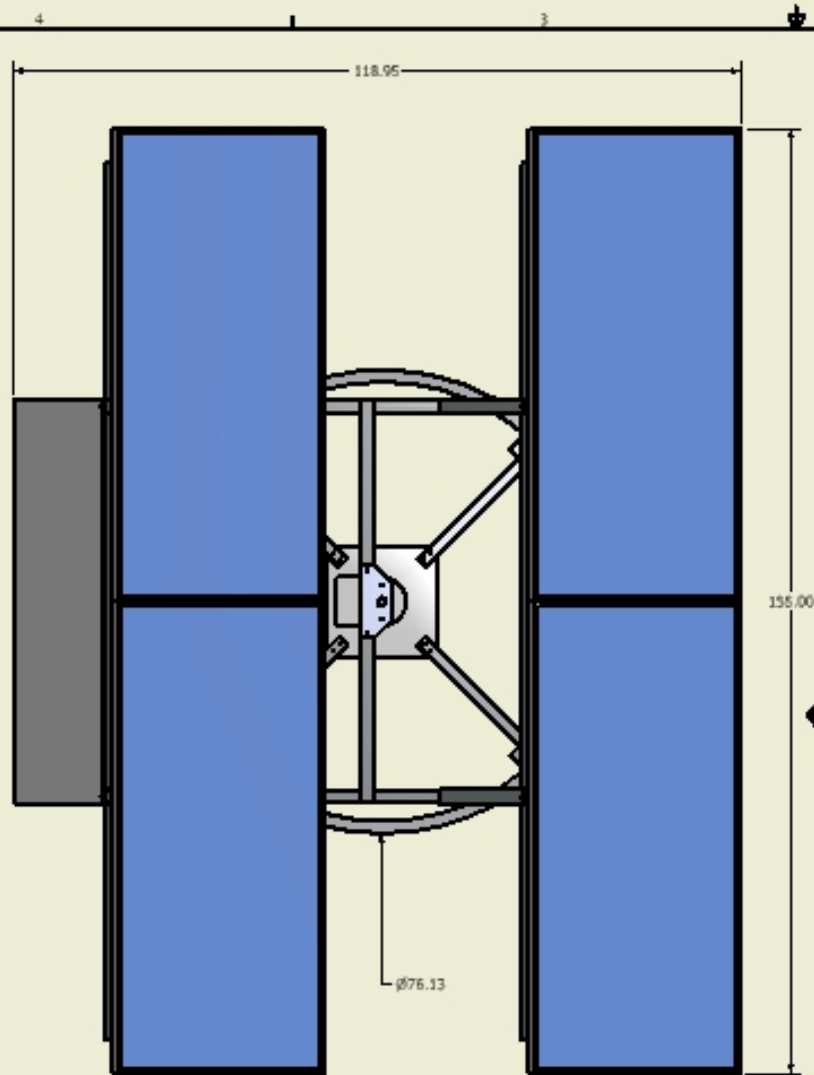
Sun Track Carousel for Flat Roofs and Surfaces

- 1 kW Capacity per Carousel
- Shipping Product Prefabricated
- Low Wind Resistance
- Low Cost, Fast Installation
- 1.4 times more kWh per kW
- Lower cost kWh & faster payback



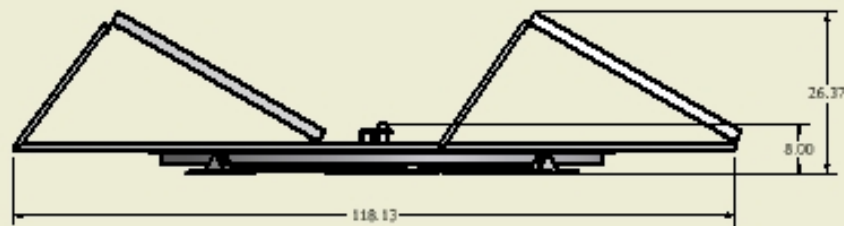
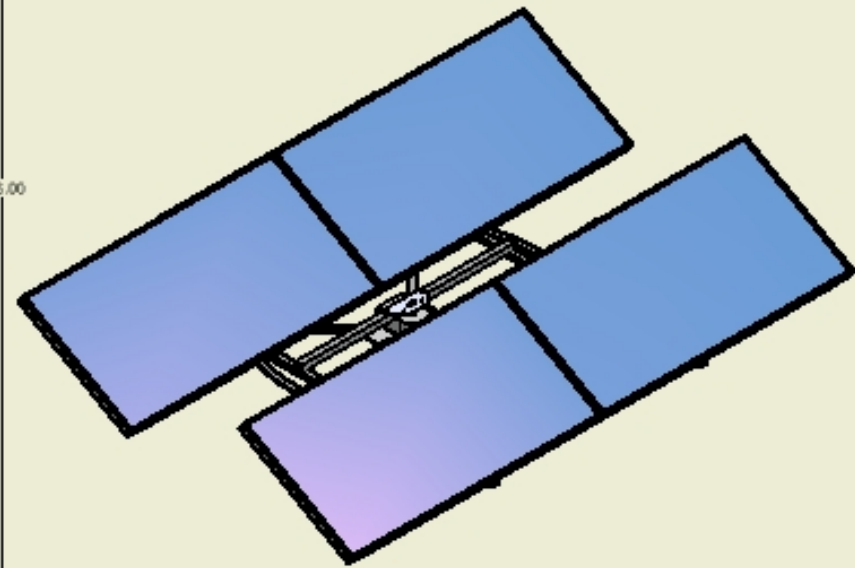
Deployed
Sweeps
16 ft Circle

Module support arms fold down for compact shipping: 8" H x 68" W x 118" L



JXC 1.1 kW Rooftop
Carousel Solar Tracker

Dimensions in inches



DRAWN Lewis Fraas	4/20/2011	JX Crystals Inc		
CHECKED		TITLE		
QA		JXC 1.1 kW Carousel		
WFG		SIZE	DWG NO	REV
APPROVED		C	Carousel 2011 JXC	
		SCALE	SHEET 1 OF 1	

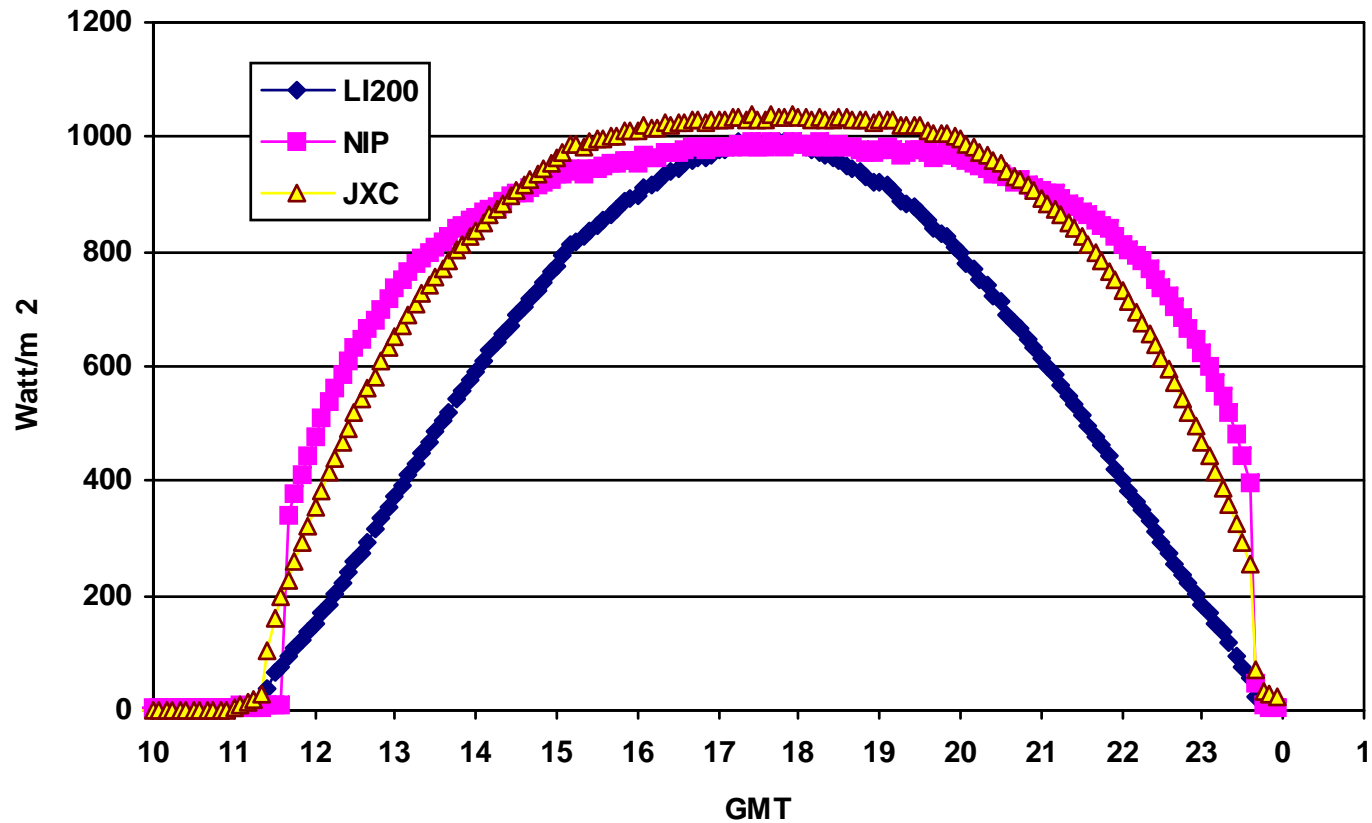
Carousel Azimuth Tracker

VS

Fixed Tilt Global

VS

2-Axis Tracked Direct Normal





SunTrack Carousels
for Sale

JX Crystals Inc

lfraas@jxcrystals.com

(425) 392 5237

**Photos of 1.2 kW
Sun-Track Carousel on
rooftop**

**Carousel produces
1.3 times more kW-hr
relative to fixed tilt
thereby reducing cost of
solar electricity and
reducing payback time
by 30%**



4 JX Crystals Inc SunTrack Carousels on rooftop in Tucson AZ (4.5 kW)



JX Crystals Carousel Trackers on home rooftop in Pales Verdes, CA



JXC Carousels in Eastern WA



JX Crystals Sun Tracking Carousel in Eastern WA



1.2 kW JX Crystals Carousel on Coffee Shop Rooftop in Seattle

